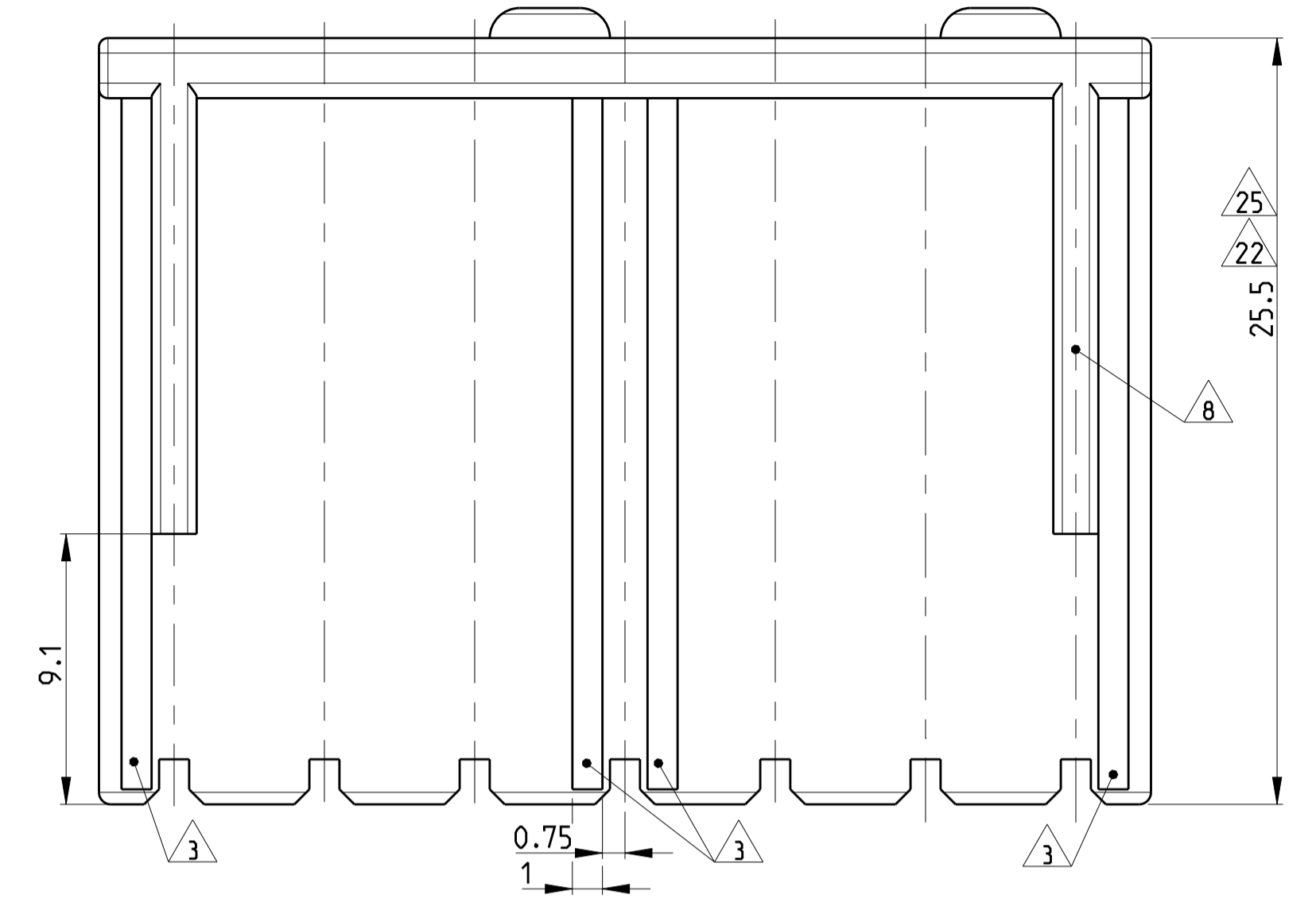
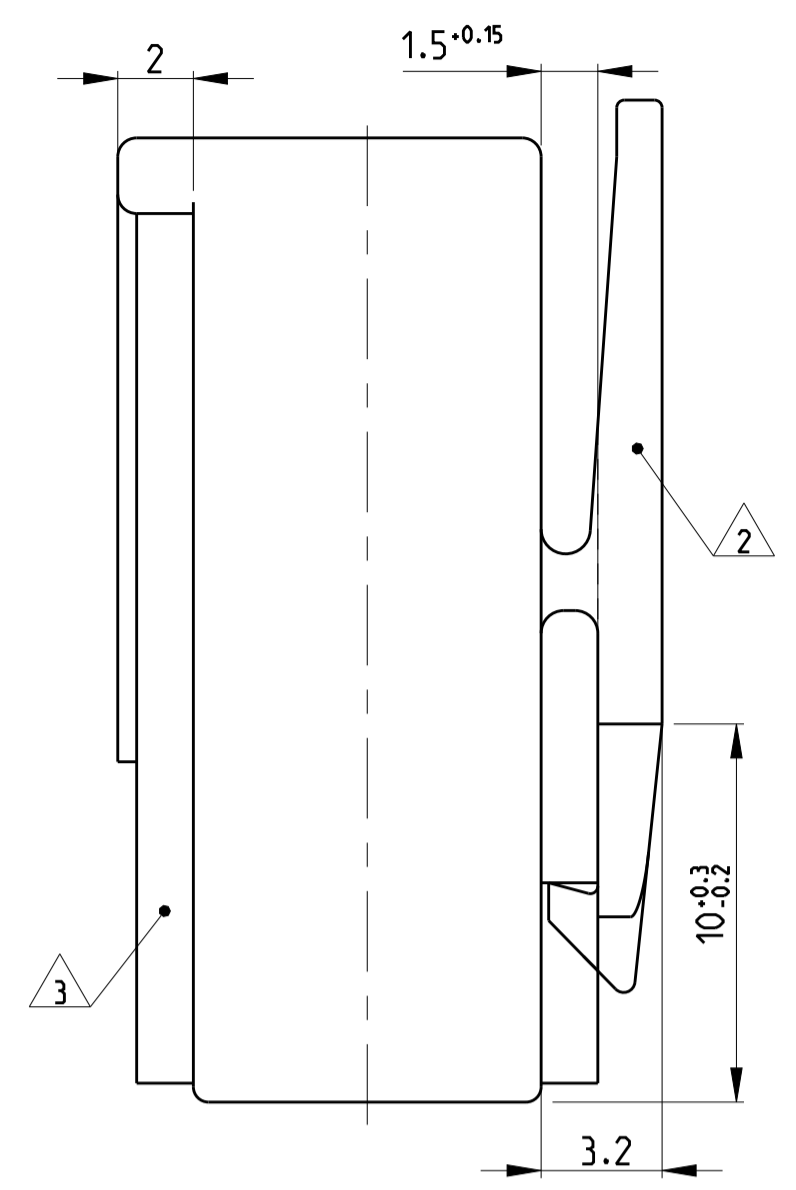
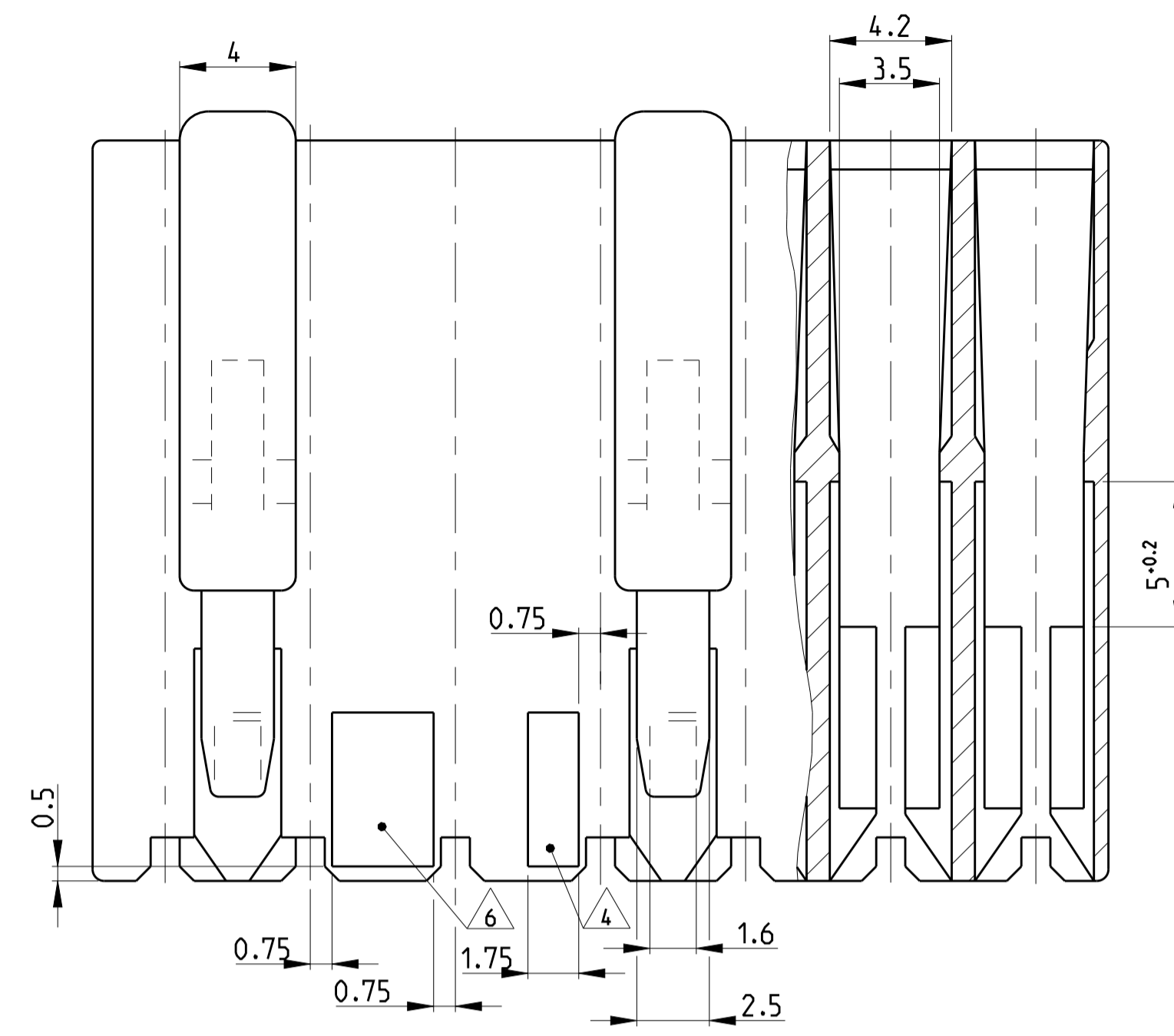
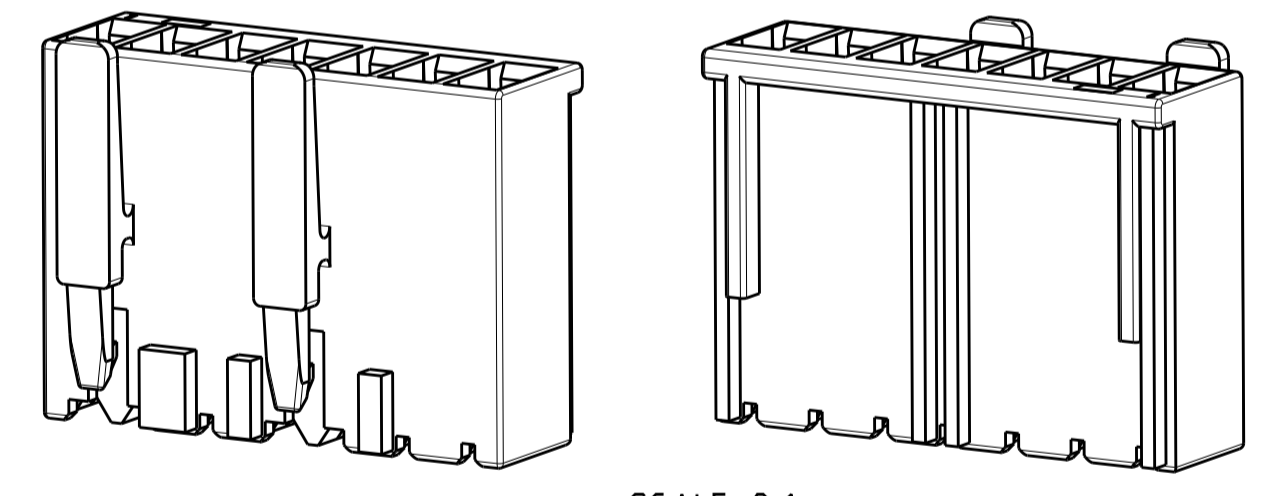
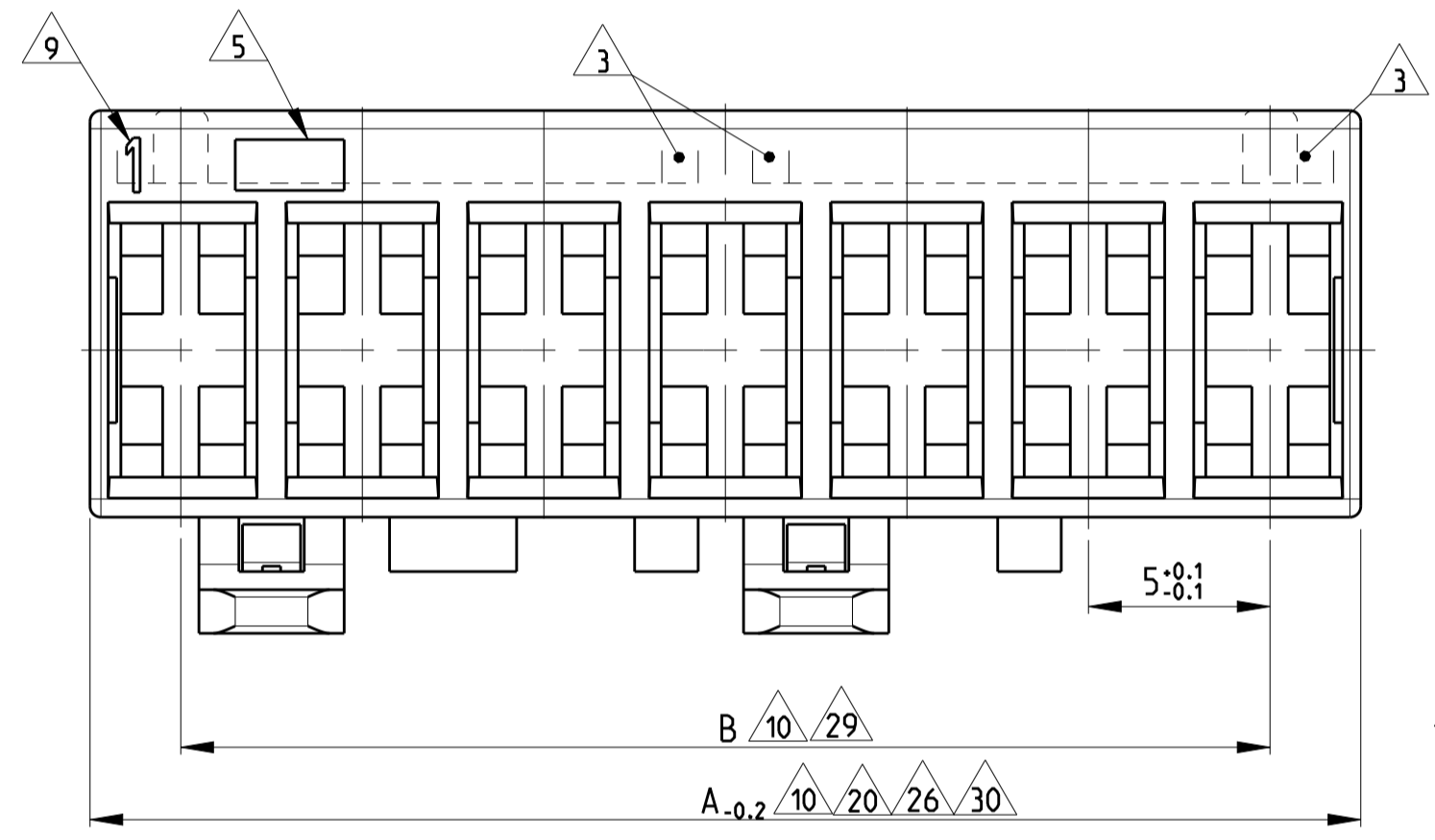
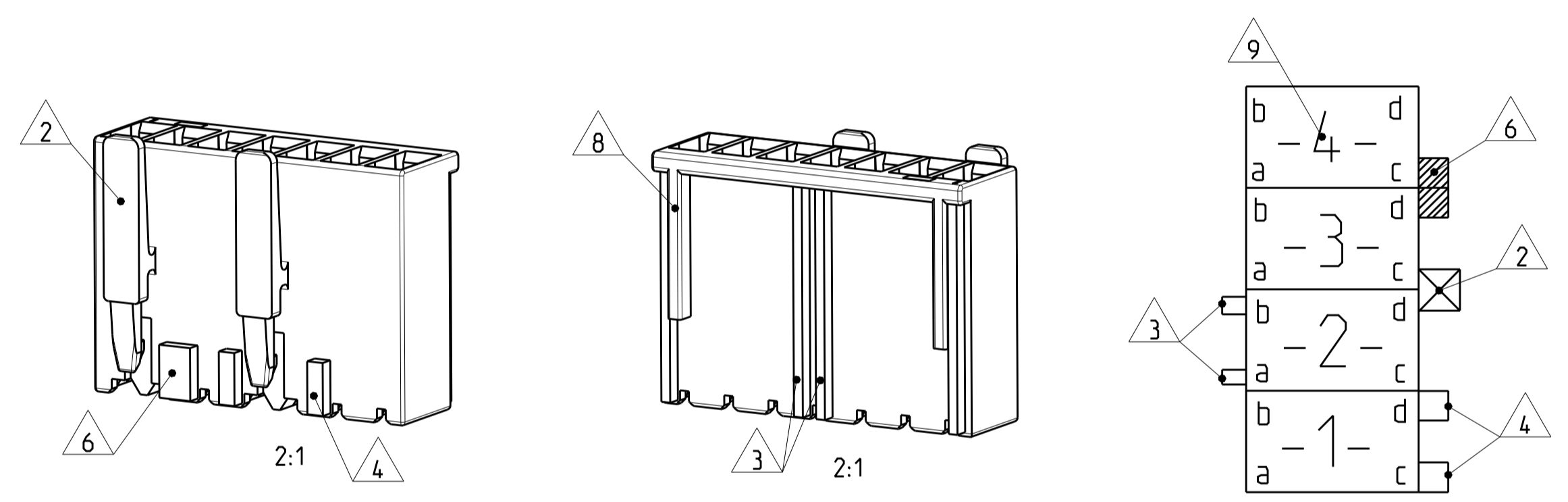


LOC		DIST		REVISIONS			
P	LTR	DESCRIPTION	DATE	DRW	APVD		
B26	ECR-15-012741		22SEP2015	KD	RR		
B27	ECR-15-015509		05NOV2015	KD	RR		

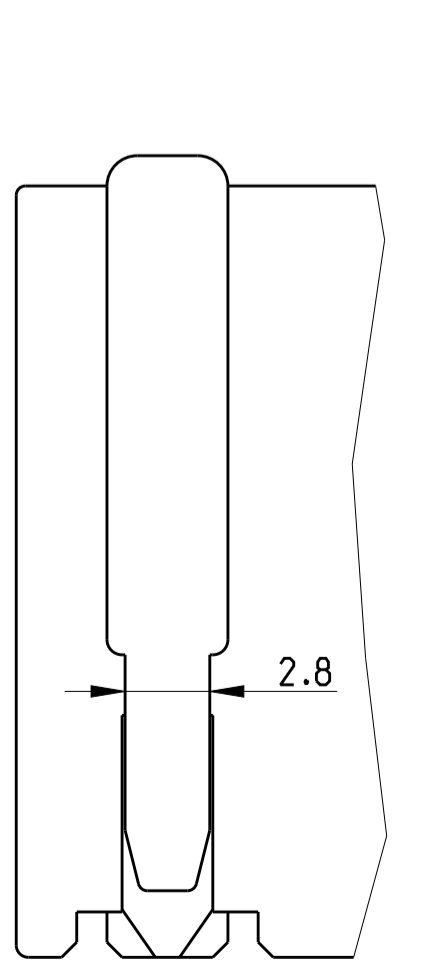
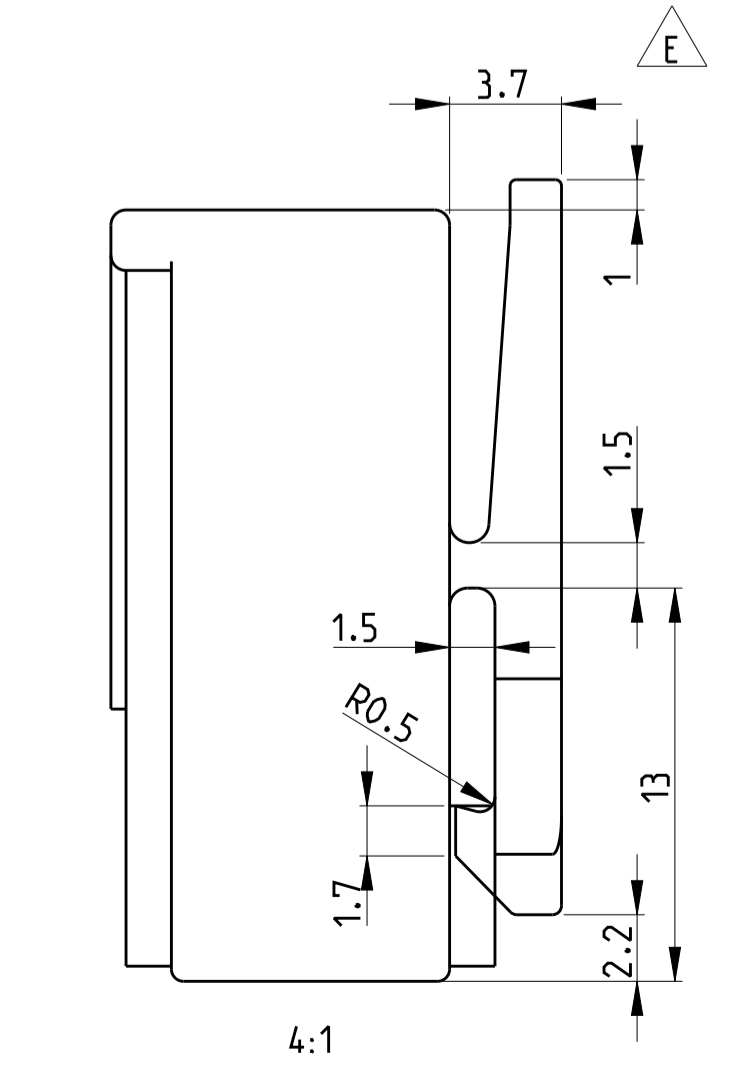
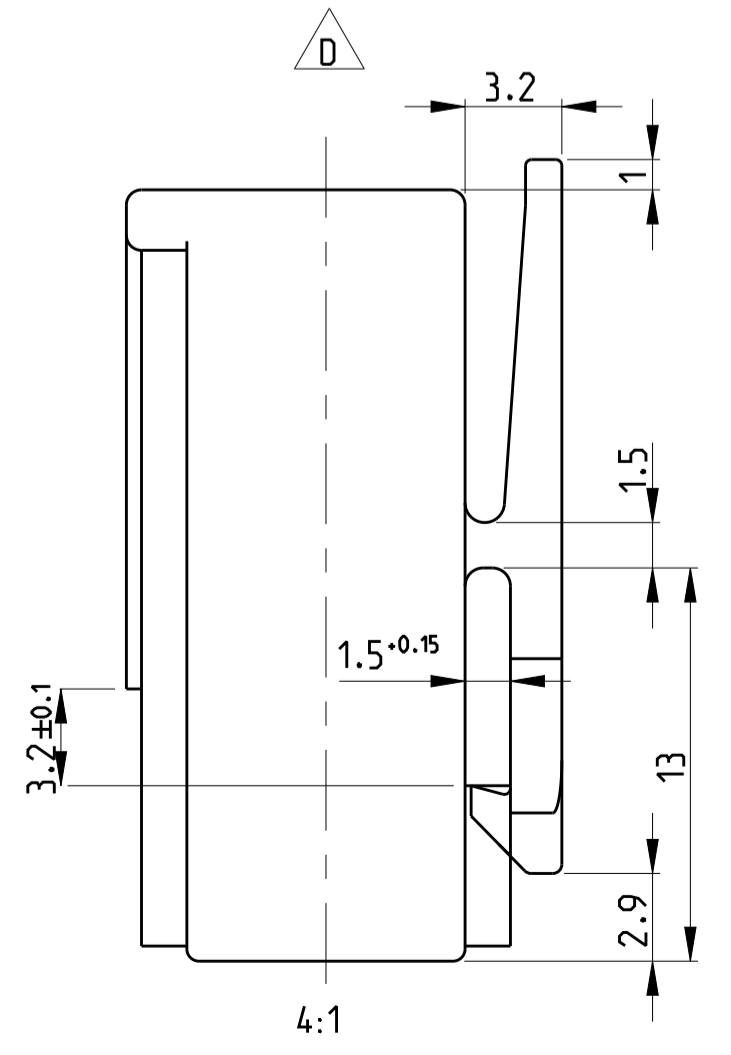
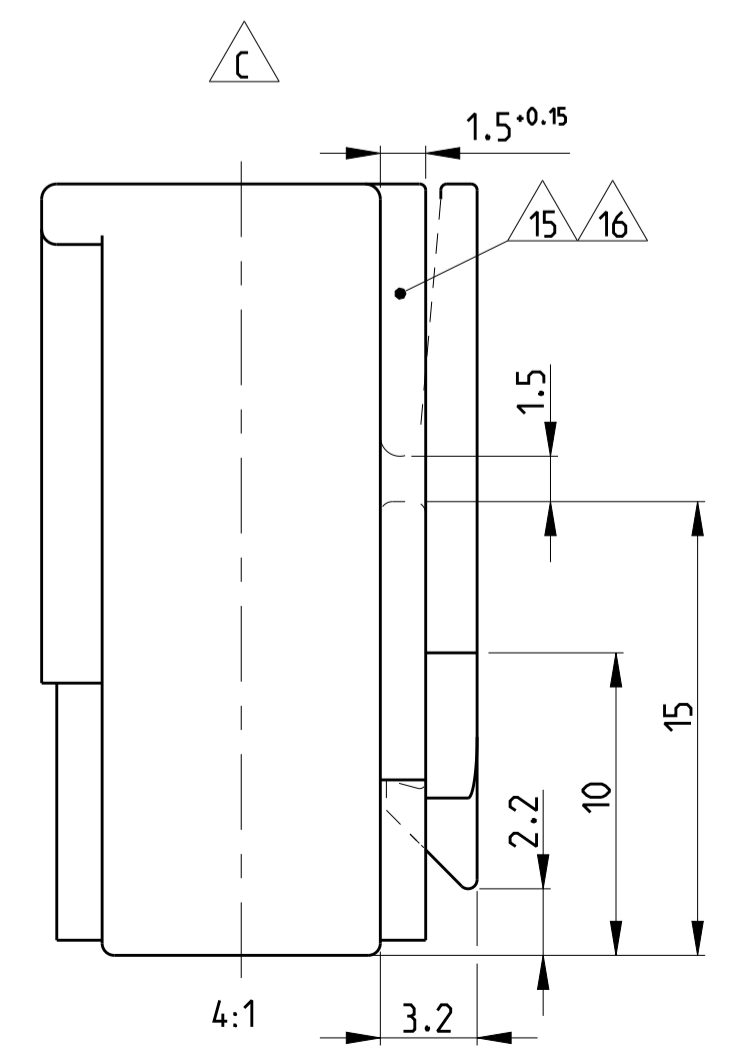
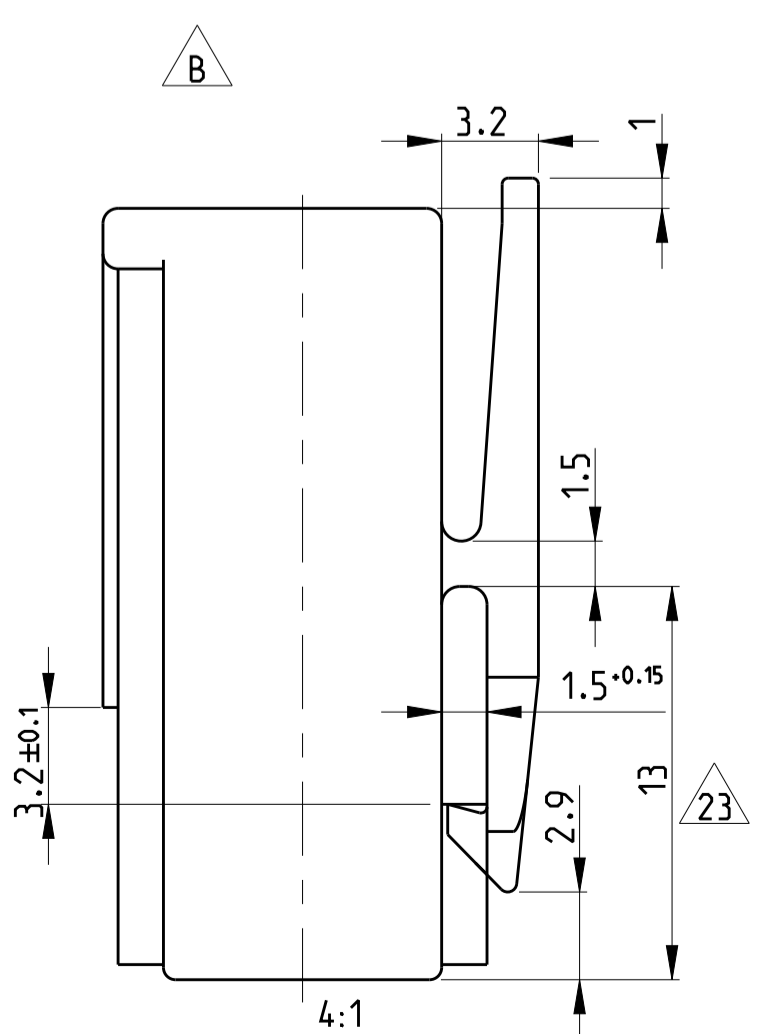
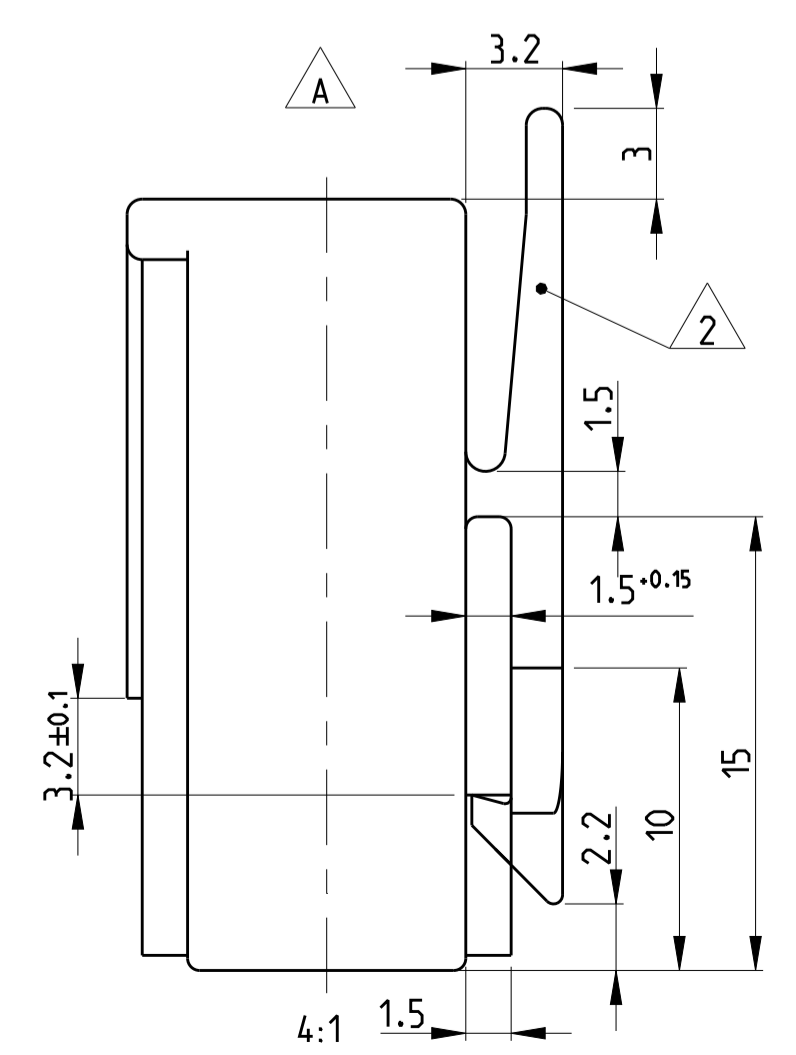


DESCRIPTION
POSITION OF THE KEYING RIBS, POLARISATION RIBS AND THE LOCKING LATCH



PAY ATTENTION!
DIFFERENT LOCKING LATCHES

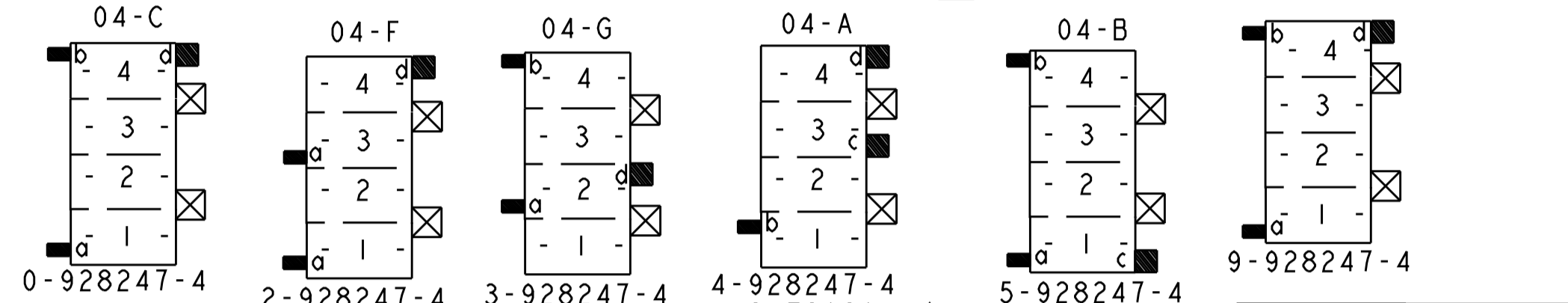
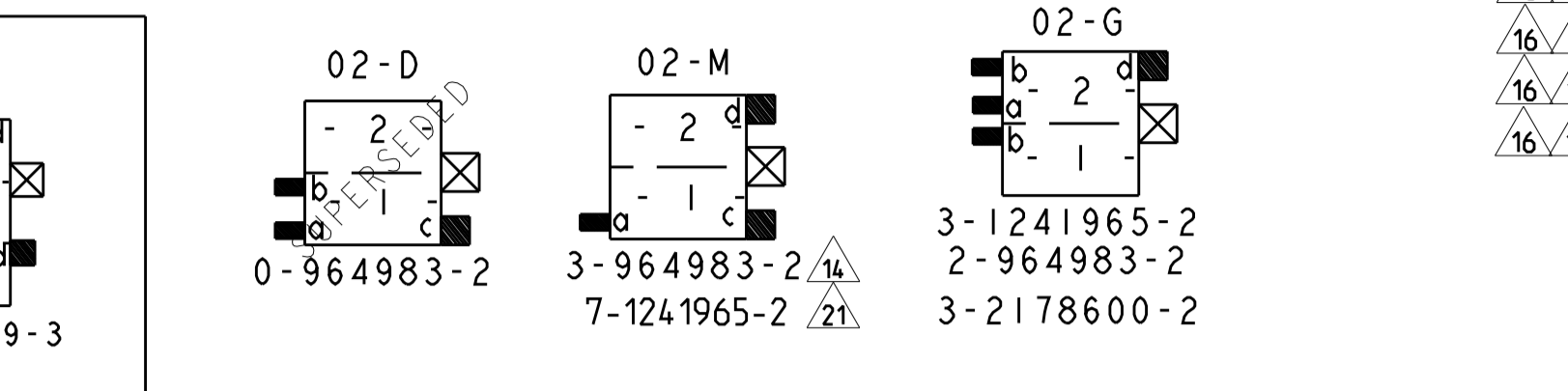
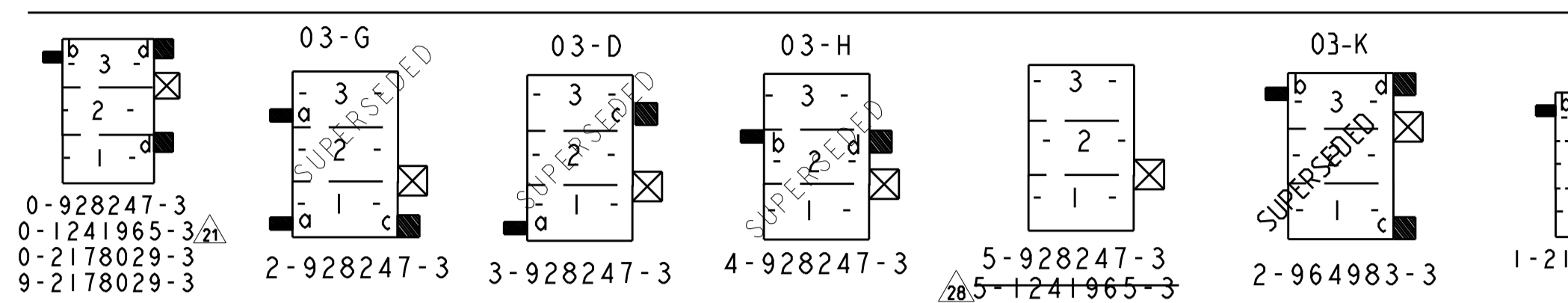
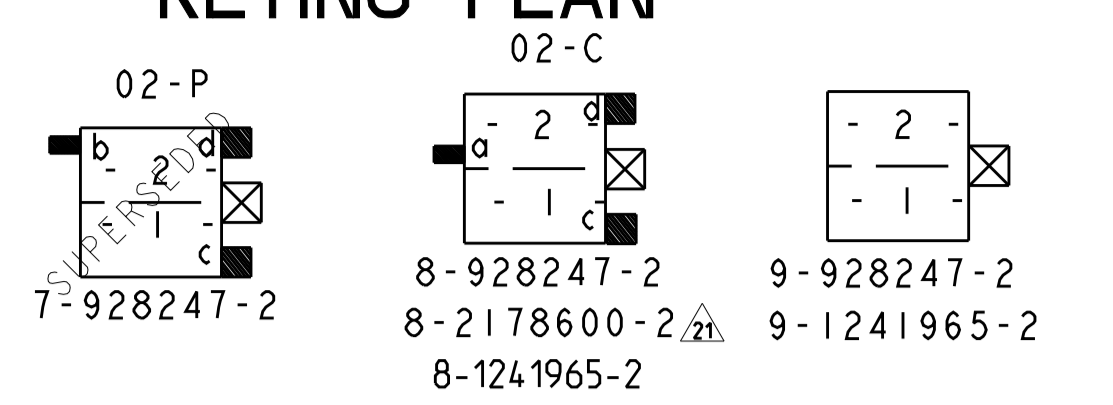
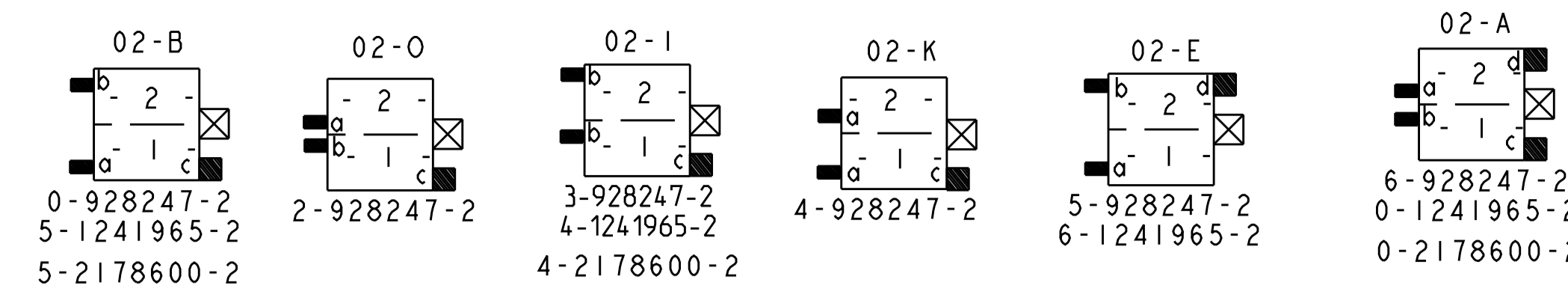
ALL OTHER DIMENSIONS ARE SAME



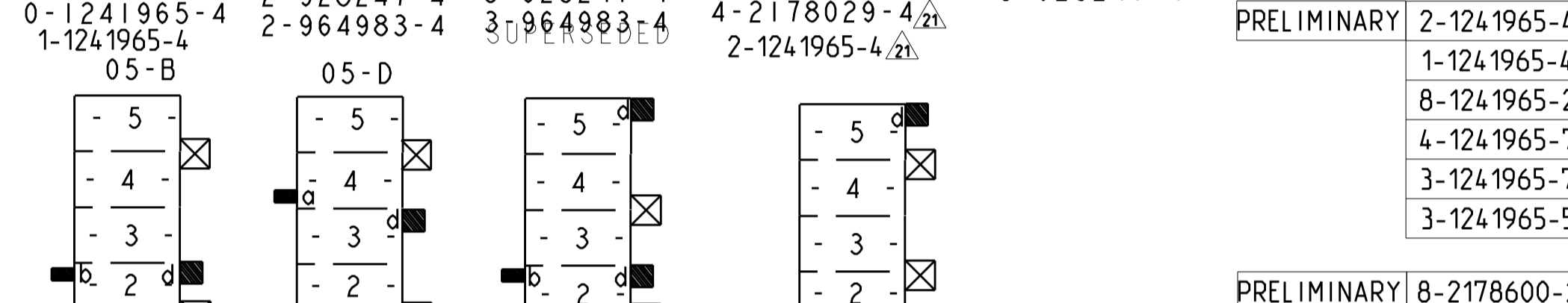
- 1 CAVITY SUITABLE TO STANDARD TIMER CONTACTS LISTED IN PROD. SPEC: 108-18049, ITEM 3.3.2
Kammer geeignet für Standard Timer Kontakte gelistet in Prod. Spec. 108-18049, Punkt 3.3.2
- 2 LOCKING LATCH BETWEEN CAVITY NO.
Rasthaken zwischen Kammernummer
- 3 POLARIZATION RIB POSITION "a" OR POSITION "b", AT CAVITY NO..
Polarisierungsrippen (Lage "a") oder (Lage "b") versetzt bei Kammer Nr
- 4 KEYING RIB POSITION "c" OR POSITION "d", AT CAVITY NO..
Kodierungsrippen nach unten (Lage "c") oder oben (Lage "d") versetzt bei Kammernummer
- 5 AREA FOR TE LOGO ACC. TO SPEC 202-36
Bereich für TE Logo nach Spec. 202-36
- 6 WIDTH KEYING RIB BETWEEN CAVITY NO.
Breite Kodierrippe zwischen Kammer Nr.
- 7 SUITABLE TO TAB 6.3x0.8mm AND 4.8x0.8mm ACCORDING TO DIN 46244
Geeignet für Flachstecker 6.3x0.8mm und 4.8x0.8mm nach DIN 46244
- 8 MATING STOP BETWEEN CAVITY NO.1 AND 2, ALSO BETWEEN THE LAST AND THE LAST BUT ONE CAVITY
Tiefenanschlag zwischen Kammer Nr.1 und 2, ebenfalls zwischen der letzten und vorletzten Kammer
- 9 CONTACT CAVITY NO.
Kammernummer
- 10 DIMENSION A AND DIMENSION B SEE SHEET 2 OF 3
Maß A und Maß B siehe Blatt 2 von 3
- 11 MATED WITH TE CONNECTOR: SEE TABLE, SHEET 2 OF 3
Passender TE Gegenstecker: siehe Tabelle, Seite 2 von 3
- 12 GENERAL SUITABLE TAB HEADER HOUSING SEE RAST 5 PERFORMANCE
Generell passende Flachsteckerwanne, siehe RAST 5 Vorgabe
- 13 CONNECTION TO THE PC BOARD SEE DRAWING 88-9935-4
Leiterplattenanschluß siehe Zeichnung 88-9935-4
- 14 SEE TABLE, SHEET 2 OF 3
Siehe Tabelle, Blatt 2 von 3
- 15 MATERIAL CORRESPONDS TO THE REQUIREMENT EN 60335 (INCL. GLOW WIRE TEST 750°C WITHOUT FLAME)
- 16 WIRE TANGLING PROTECTION
- 17 WIRE TANGLING PROTECTION IN COMBINATION WITH CODING RIBS, ONLY VALID FOR VERSIONS 5-964702-3, 0-964702-3, 0-964702-1
- 18 KEYING ACC. TO RAST-5 STANDARD; COLOUR IS DIFFERENT
- 19 8 POS. SPECIAL VERSION WITH SWAGED KEYING RIB
- 20 SPECIAL MATERIAL PA66, UL 94 V0
- 21 DIMENSION "A" IS ACCEPTED WITHIN TOLERANCE +0.05/-0.20.
- 22 PRELIMINARY PART- NOT YET RELEASED FOR PRODUCTION
- 23 ONLY FOR PN 2178600-2, 3-2178600-2, 4-2178600-2, 5-2178600-2, TOLERANCE IS +0.4 -0.2, WORST CASE CAN BE OUT OF RAST STANDARD.
- 24 ONLY FOR PN 2178600-2, 3-2178600-2, 4-2178600-2, 5-2178600-2, TOLERANCE IS ±0.4
- 25 ONLY FOR PN 3-1241965-5, 3-1241965-7 TOLERANCE IS +0.3 -0.2
- 26 ONLY FOR PN 3-1241965-5, 3-1241965-7 TOLERANCE IS +0.2 -0.2
- 27 ONLY FOR PN 3-1241965-5, 3-1241965-7 TOLERANCE IS +0.05 -0.2
- 28 OBSOLETE PART
- 29 ONLY FOR 4-1241965-7, TOLERANCE IS -0.3
- 30 ONLY FOR 4-1241965-7, TOLERANCE IS +0.2/-0.25

THIS DRAWING IS A CONTROLLED DOCUMENT.		DRW: Kishor M 07-NOV-06		TE Connectivity	
DIMENSIONS: mm		CHK: K. Munz 07-NOV-06		NAME: 2-12 POS. STANDARD TIMER HSG. WITH EXTERIOR LOCKING	
TOLERANCES UNLESS OTHERWISE SPECIFIED: ±0.2		APVD: T. Klenner 07-NOV-06	PRODUCT SPEC: 108-18049		
MATERIAL: SEE TABLE		FINISH: -	APPLICATION SPEC: -		
ANGLES: -		WEIGHT: -	SIZE: A1		
FINISH: -		Customer Drawing	SCALE: 5:1 SHEET 1 OF 3 REV: B27		

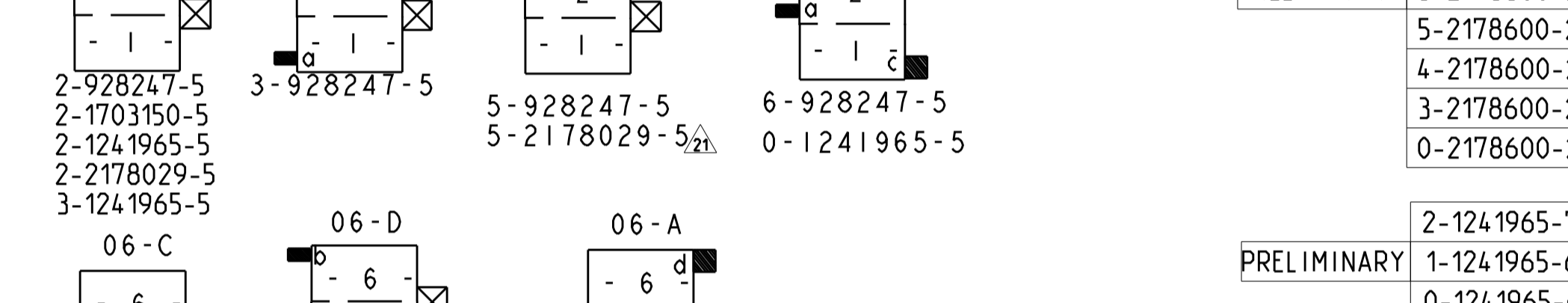
KEYING PLAN



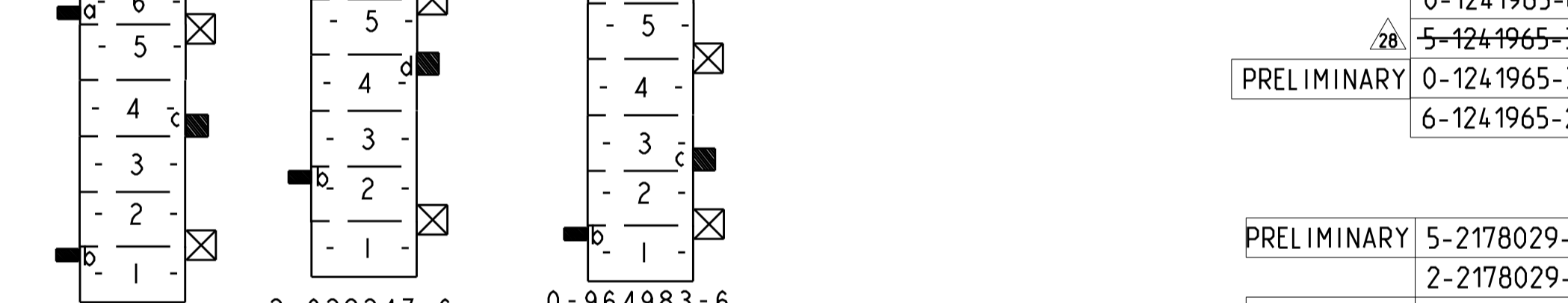
PRELIMINARY	2-1241965-4	4	-	20	15	NATURAL	PA66 V-0 GW T750	E	A	12/13
	1-1241965-4	4	04-C	20	15	NATURAL		E	A	12/13
	8-1241965-2	2	02-C	10	5	NATURAL		E	A	12/13
	4-1241965-7	7	-	35	30	NATURAL		E	A	12/13
	3-1241965-7	7	07-C	35	30	NATURAL	PA6 GF15 UL94V-2	D	A	12/13
	3-1241965-5	5	05-B	25	20	NATURAL		D	A	12/13



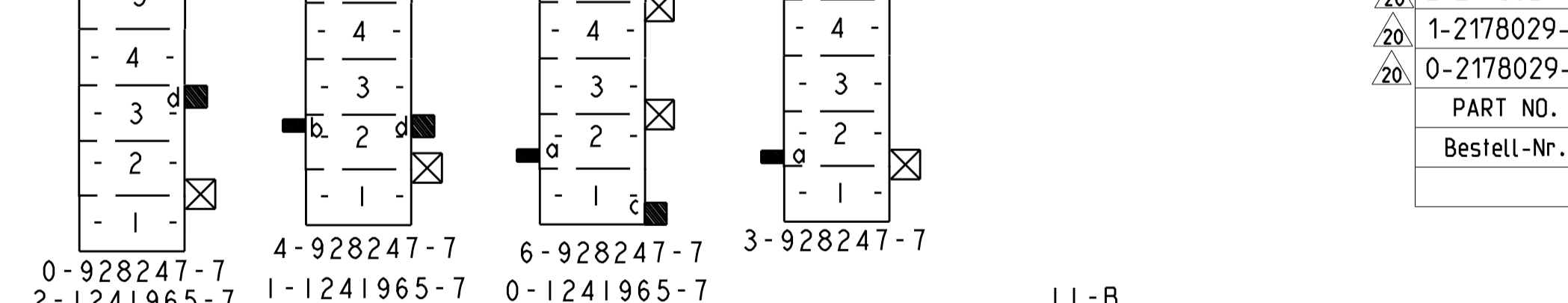
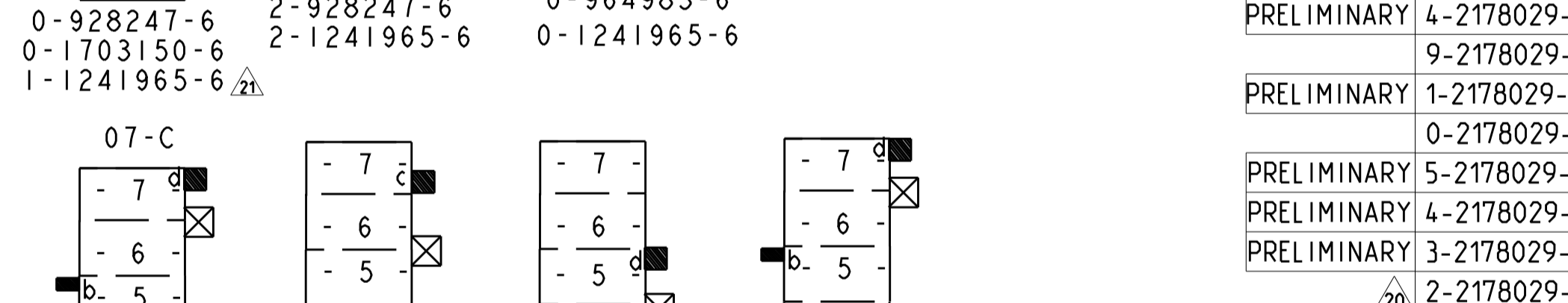
PRELIMINARY	8-2178029-2	2	02-C	10	5	NATURAL	PA6 GF15 UL94V-2	B	A	12/13
	5-2178029-2	2	02-B	10	5	BLACK		B	B	12/13
	4-2178029-2	2	02-I	10	5	RED		B	B	12/13
	3-2178029-2	2	02-G	10	5	BLUE		B	B	12/13
	0-2178029-2	2	02-A	10	5	NATURAL		B	B	12/13



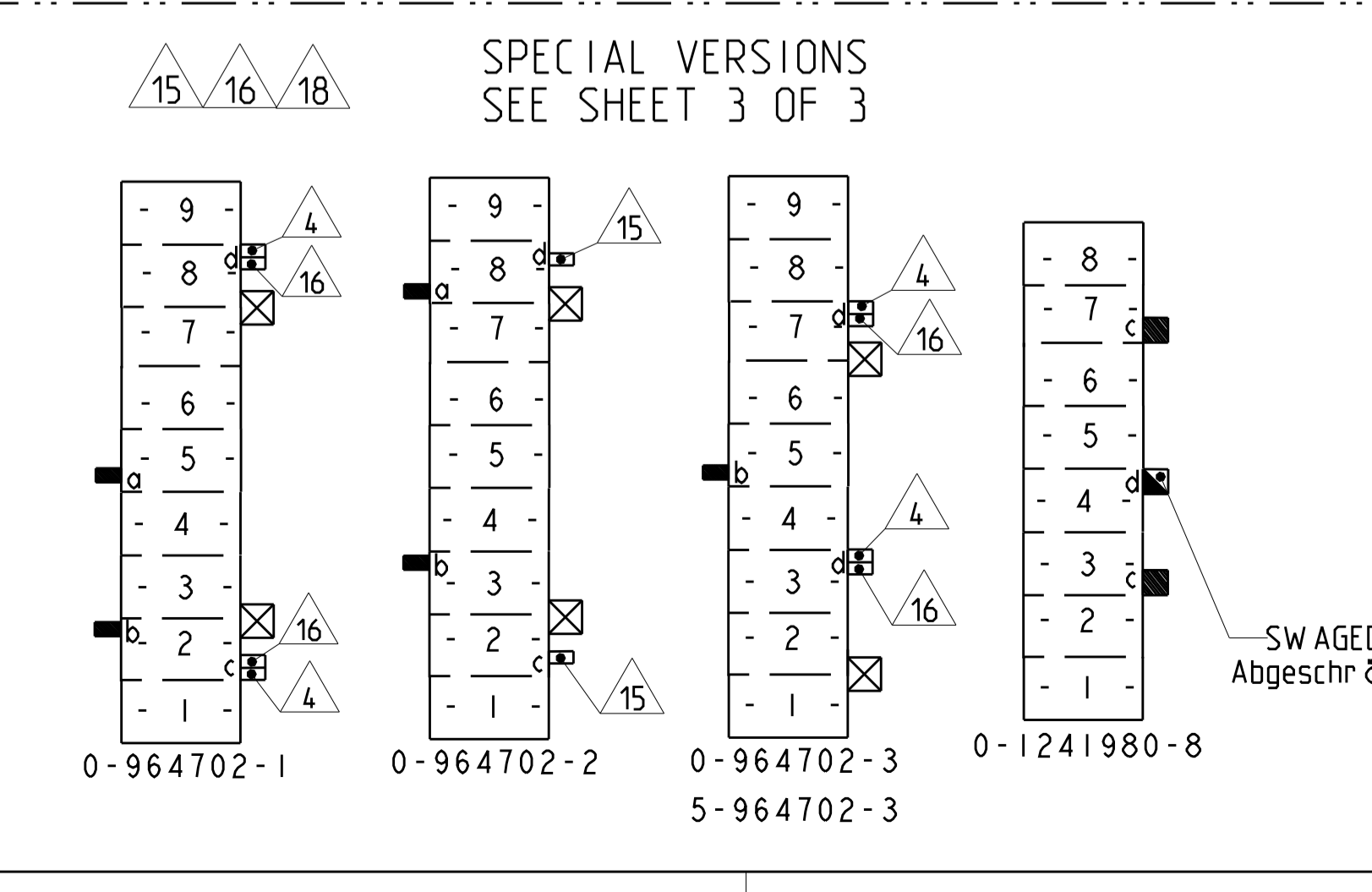
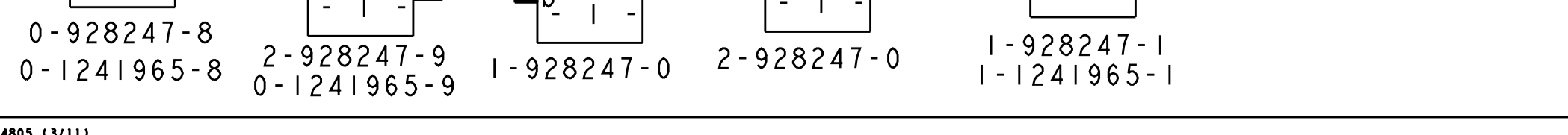
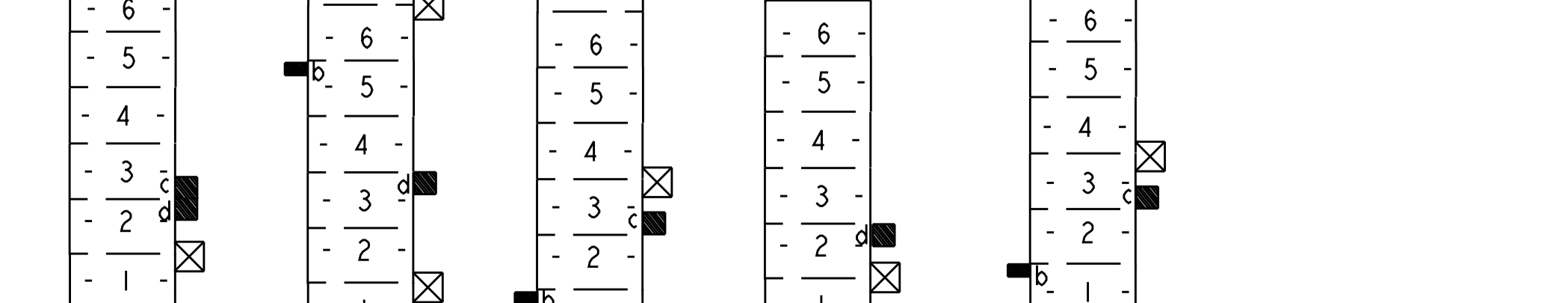
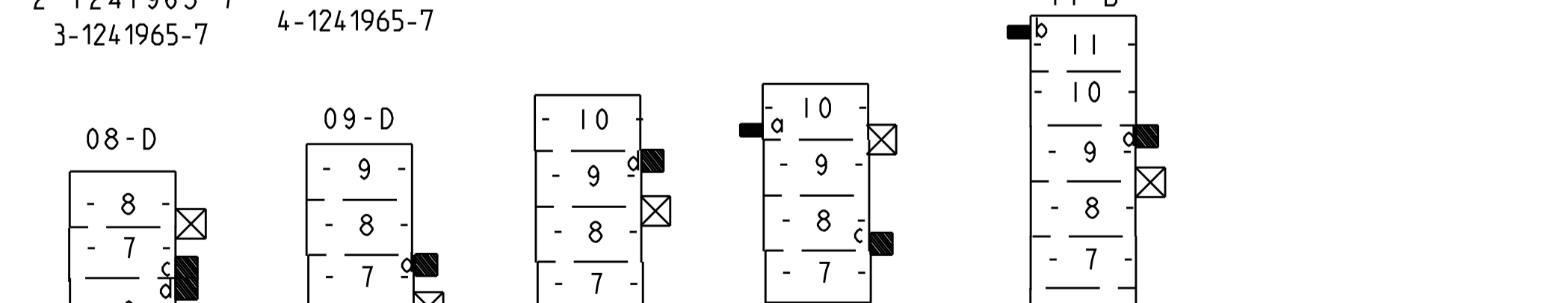
PRELIMINARY	2-1241965-7	7	07-C	35	30	NATURAL	PA6 UL94V-2	B	A	12/13
	1-1241965-6	6	06-C	30	25	NATURAL		B	1	12/13
	0-1241965-6	6	06-A	30	25	NATURAL		B	A	12/13
	5-1241965-3	3	-	15	10	NATURAL		A	1	12/13
	0-1241965-3	3	-	15	10	NATURAL		B	1	12/13
	6-1241965-2	2	02-E	10	5	NATURAL		B	A	12/13



PRELIMINARY	5-2178029-5	5	-	25	20	GREEN	PA66 UL94V-0	B	A	12/13
	2-2178029-5	5	-	25	20	BLACK		B <td>A</td> <td>12/13</td>	A	12/13
	4-2178029-4	4	-	20	15	NATURAL		B <td>1</td> <td>12/13</td>	1	12/13
	9-2178029-3	3	-	15	10	YELLOW		B <td>A</td> <td>12/13</td>	A	12/13
	1-2178029-3	3	-	15	10	NATURAL		B <td>1</td> <td>12/13</td>	1	12/13
	0-2178029-3	3	-	15	10	NATURAL		B <td>A</td> <td>12/13</td>	A	12/13
	5-2178029-2	2	02-B	10	5	NATURAL		B <td>1</td> <td>12/13</td>	1	12/13
	4-2178029-2	2	02-I	10	5	NATURAL		B <td>1</td> <td>12/13</td>	1	12/13
	3-2178029-2	2	02-K	10	5	NATURAL		B <td>1</td> <td>12/13</td>	1	12/13
	2-2178029-2	2	02-B	10	5	BLACK		B <td>A</td> <td>12/13</td>	A	12/13
	1-2178029-2	2	02-I	10	5	RED		B <td>A</td> <td>12/13</td>	A	12/13
	0-2178029-2	2	02-K	10	5	GREEN		B <td>A</td> <td>12/13</td>	A	12/13



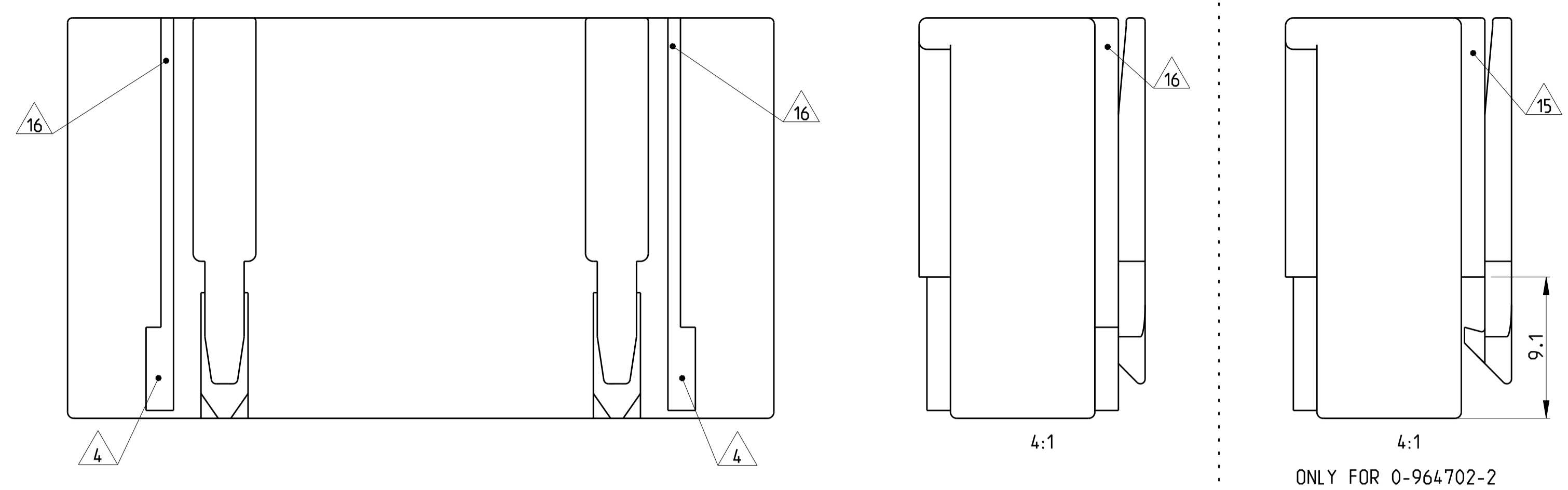
PRELIMINARY	5-2178029-2	2	02-B	10	5	NATURAL	PA66 UL94V-0	B	A	12/13
	4-2178029-2	2	02-I	10	5	NATURAL		B <td>1</td> <td>12/13</td>	1	12/13
	3-2178029-2	2	02-K	10	5	NATURAL		B <td>1</td> <td>12/13</td>	1	12/13
	2-2178029-2	2	02-B	10	5	BLACK		B <td>A</td> <td>12/13</td>	A	12/13
	1-2178029-2	2	02-I	10	5	RED		B <td>A</td> <td>12/13</td>	A	12/13
	0-2178029-2	2	02-K	10	5	GREEN		B <td>A</td> <td>12/13</td>	A	12/13



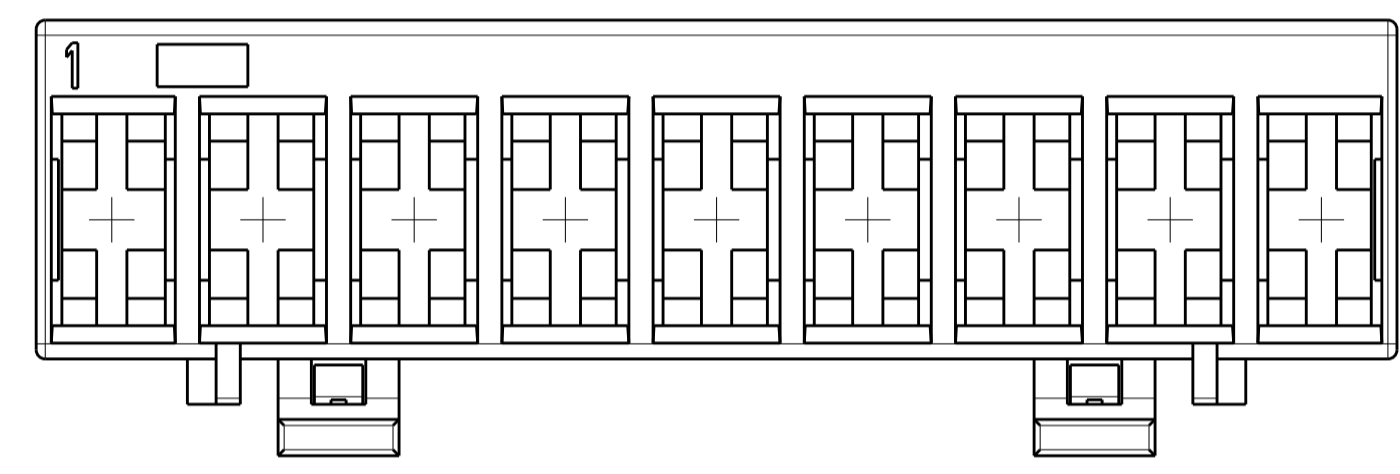
SWAGED KEYING RIB
Abgeschrägte Kodierrippe

COLOUR	SUPERSEDED BY PN:	PART NO.	POS.	RAST 5	DIM A	DIM B	COLOUR	MATERIAL	LOCKING LATCH	REV.	MATED WITH
Farbe	Bestell-Nr.	Pol.	Rast 5	Maß A	Maß B	Farbe	Material	Rasthaken	Rev.	Gegenstecker	
NATURE	1-969484-7	3	03-H	15	10	BROWN/brau	UL94V-2	A	1	12/13	
NATURE	1-969484-8	3	03-D	15	10	BLUE/blau	UL94V-2	A	1	12/13	
NATURE	3-969484-7	2	03-G	15	10	VIOLET/violett (lila)	UL94V-2	A	1	12/13	
	0-928247-3	3	-	15	10	YELLOW/gelb	UL94V-2	B	1	12/13	
	9-928247-2	2	-	10	5	NATURAL/natur	UL94V-2	B	1	12/13	
	8-928247-2	2	02-C	10	5	GREY/grau	UL94V-2	B	1	12/13	
NATURE	0-969484-3	7	02-P	10	5	PURPLERED/purpurrot	UL94V-2	A	1	12/13	
	6-928247-2	2	02-A	10	5	NATURAL/natur	UL94V-2	B	1	12/13	
	5-928247-2	2	02-E	10	5	GREEN/grün	UL94V-2	B	1	12/13	
	4-928247-2	2	02-K	10	5	YELLOW GREEN/gelbgrün	UL94V-2	B	1	12/13	
	3-928247-2	2	02-I	10	5	ORANGE/orange	UL94V-2	A	1	12/13	
	2-928247-2	2	02-O	10	5	PINK/rosa	UL94V-2	A	1	12/13	
	0-928247-2	2	02-B	10	5	BLACK/schwarz	UL94V-2	B	1	12/13	

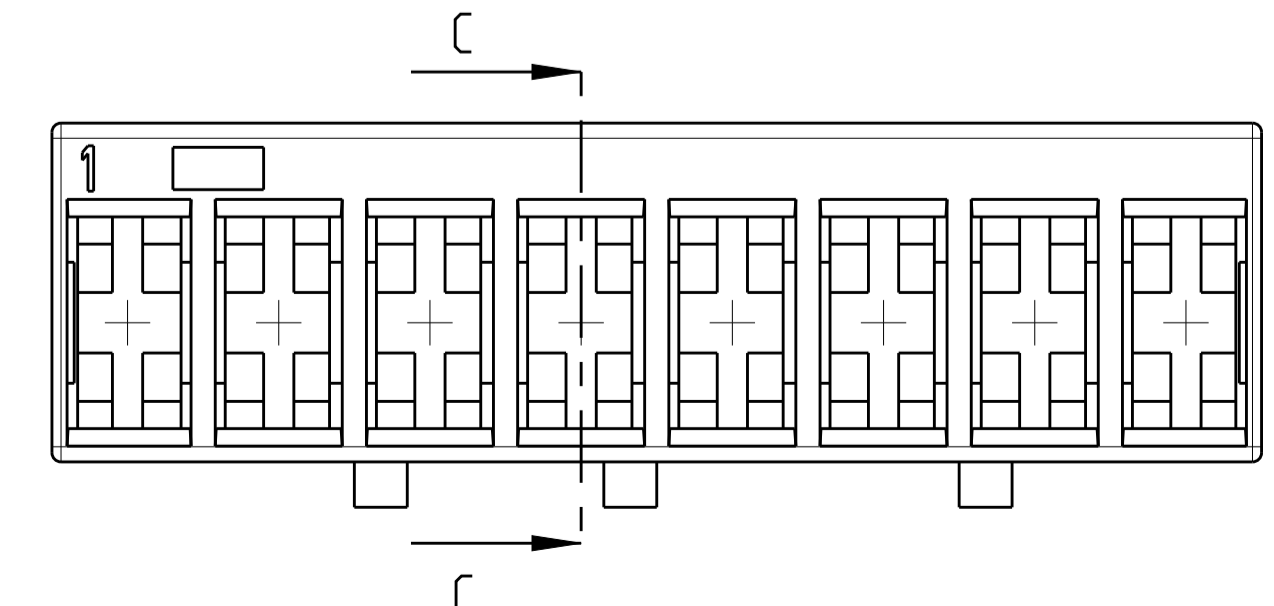
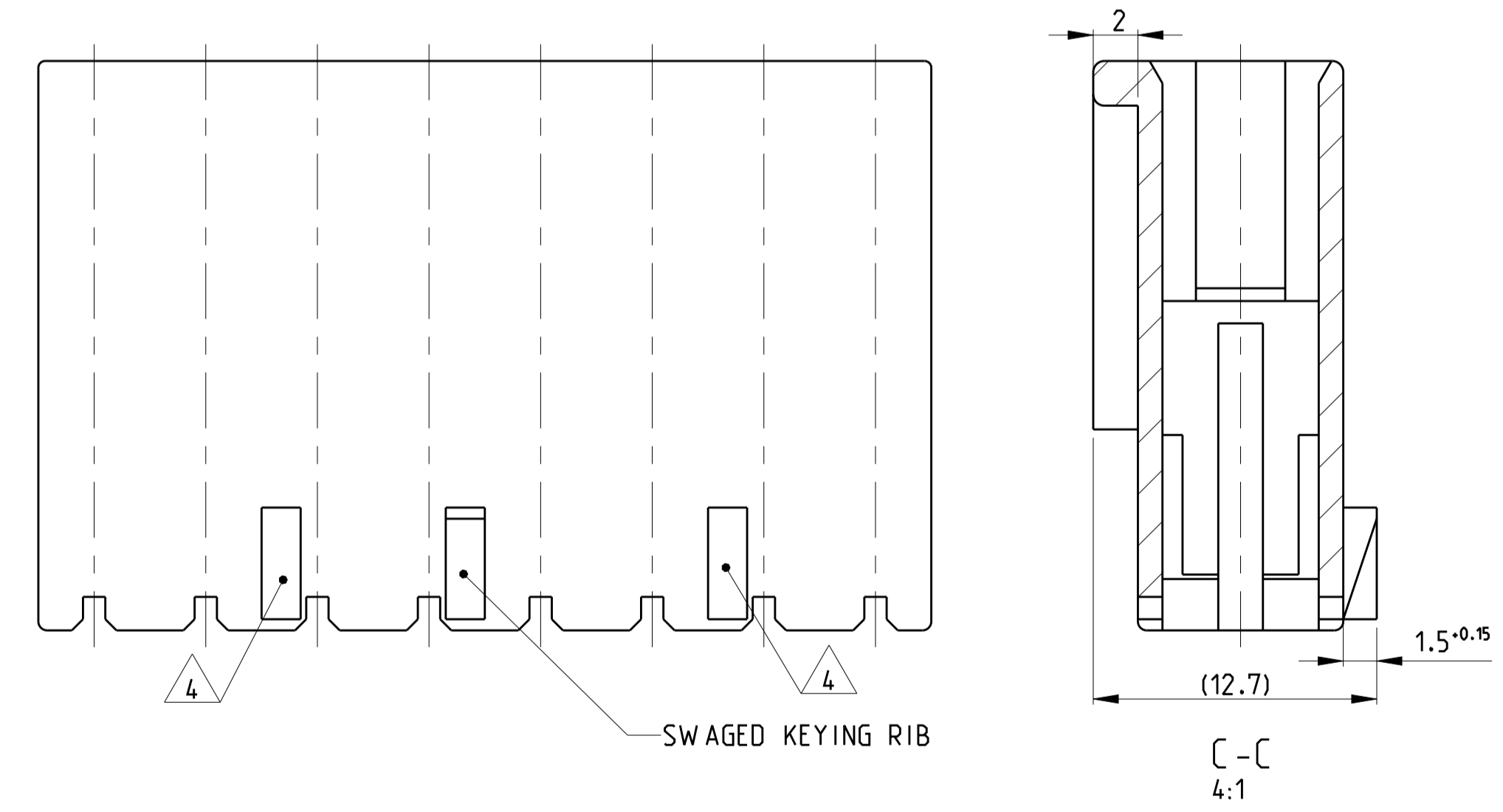
SPECIAL VERSIONS 15 16
9 POS STD. TIMER HSG. WITH TANGLING PROTECTION



ONLY FOR 0-964702-2



SPECIAL VERSION 18
8 POS SPECIAL STD. TIMER HSG.



LOC		DIST		REVISIONS			
A	1	P	LTR	DESCRIPTION	DATE	DWN	APVD
				SEE SHEET 1			

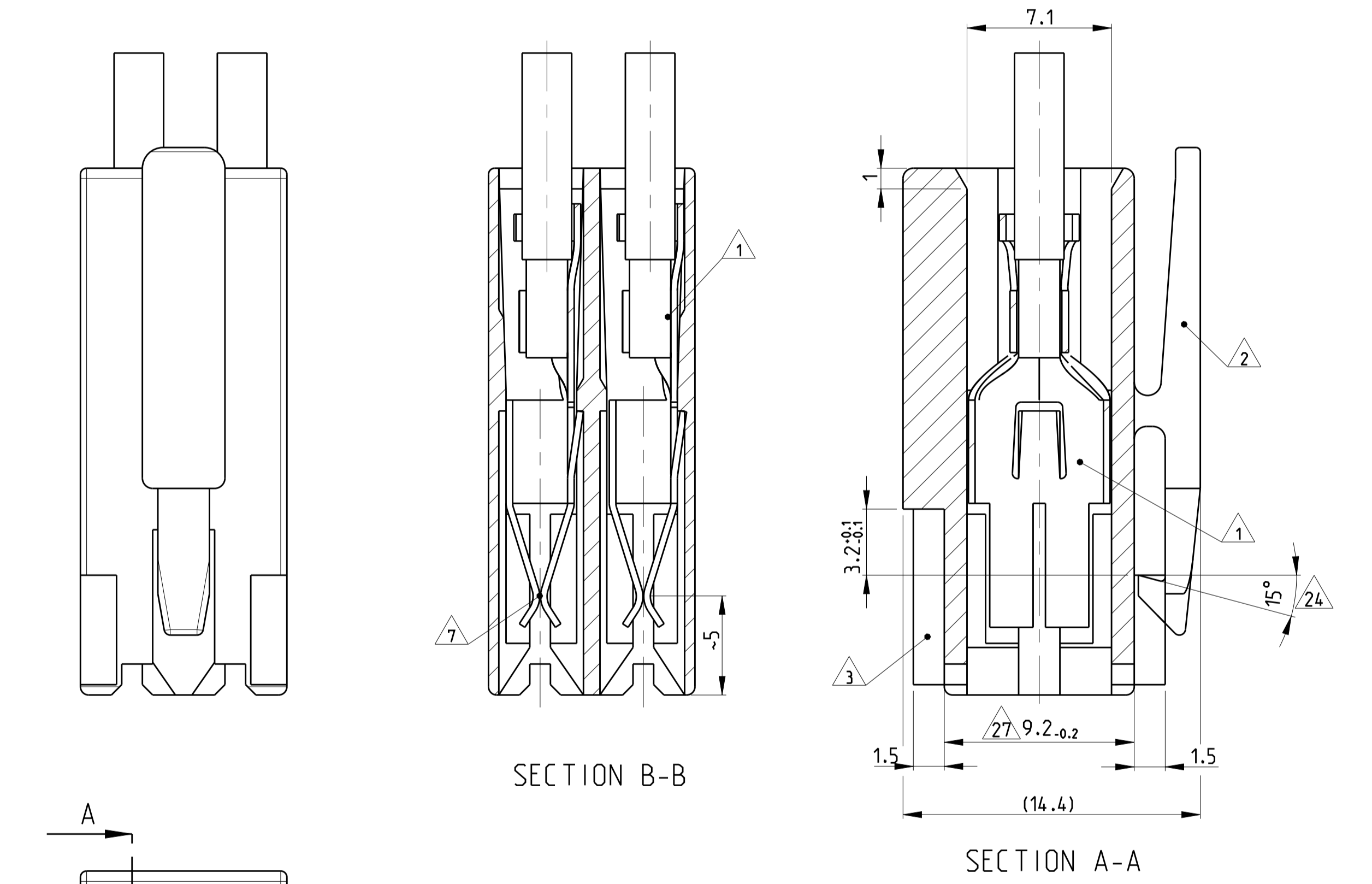
POLARIZATION SIDE ↓

KEYING AND LATCH SIDE ↑

SECTION A-A

LAYOUT: TAB HEADER HOUSING

ONLY FOR INFORMATION



THIS DRAWING IS A CONTROLLED DOCUMENT.		DWN: Kishor M 07-NOV-06	STE TE Connectivity										
DIMENSIONS: mm		CHK: K. Munz 07-NOV-06											
TOLERANCES UNLESS OTHERWISE SPECIFIED: ±0.2		APVD: Th. Klenner 07-NOV-06	NAME: 2-12 POS. STANDARD TIMER HSG. WITH EXTERIOR LOCKING										
<table border="1" style="font-size: 8px;"> <tr><td>0-PLC</td><td>±</td></tr> <tr><td>1-PLC</td><td>±</td></tr> <tr><td>2-PLC</td><td>±</td></tr> <tr><td>3-PLC</td><td>±</td></tr> <tr><td>4-PLC</td><td>±</td></tr> </table>		0-PLC	±	1-PLC	±	2-PLC	±	3-PLC	±	4-PLC	±	PRODUCT SPEC: 108-18049	2-12 Pos. Standard Timer Gehäuse mit Aussenrastung
0-PLC	±												
1-PLC	±												
2-PLC	±												
3-PLC	±												
4-PLC	±												
MATERIAL: SEE TABLE		APPLICATION SPEC: -	SIZE: A1										
ANGLES: FINISH: -		WEIGHT: -	CAGE CODE: C=1241965										
		Customer Drawing	RESTRICTED TO: -										
		SCALE: 5:1	SHEET 3 OF 3										
			REV B27										